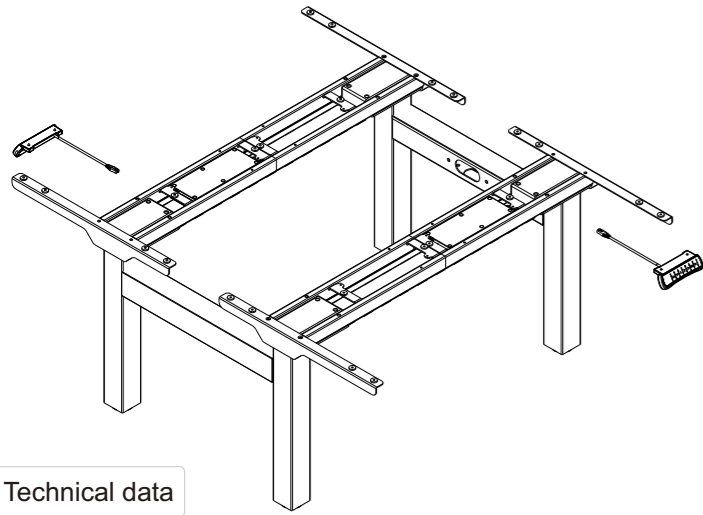


ACTIVE DESK®

Item No.: ET223H(IB)

Installation guide



Accessory list

Attention: The drawings below are for guidance only and they may differ slightly from the product and fittings received. Please contact our customer service department should you have any queries.

No.	Image	Spec	Qty
A		M6	4
B		M6	4
C		M6	12
D		St4.2	16
E		Allen Key 4x4mm	1

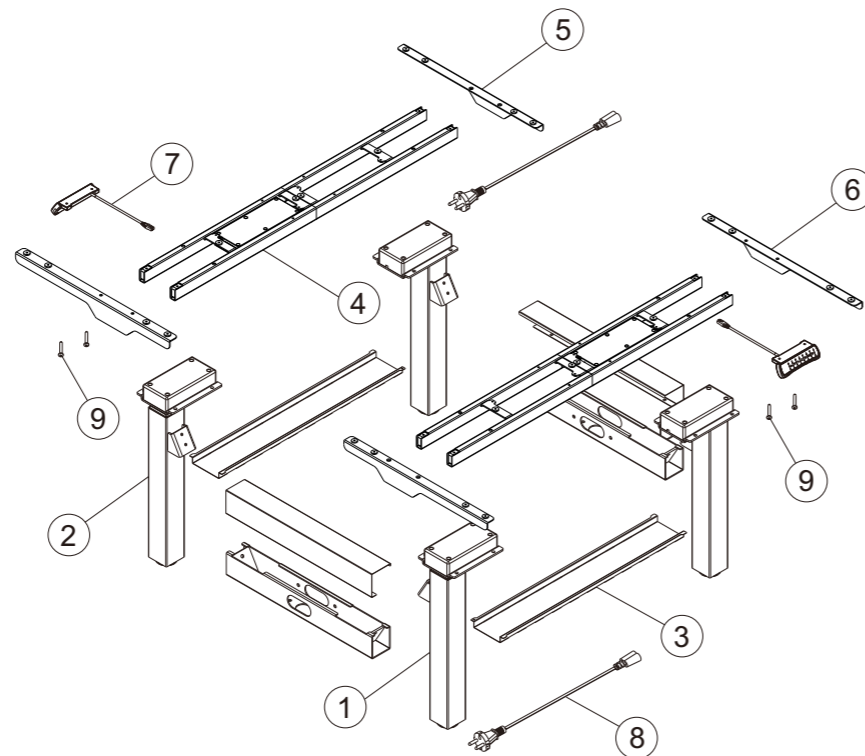
Note: there are 2 screw packages in total.

Technical data

Column Stage	3
Max. Weight Capacity	125KG
Height Range	580-1230mm
Width Range	1100-1900mm

Component list

No.	Part	Qty	No.	Part	Qty
①	Left Lifting Column	2	②	Right Lifting Column	2
No.	Part	Qty	No.	Part	Qty
③	Cable Management Tray	2	④	Supporting Beam with control box	2
No.	Part	Qty	No.	Part	Qty
⑤	Left Side Bracket	2	⑥	Right Side Bracket	2
No.	Part	Qty	No.	Part	Qty
⑦	Handset	2	⑧	Power Plug	2
⑨	Handset Screw	4			



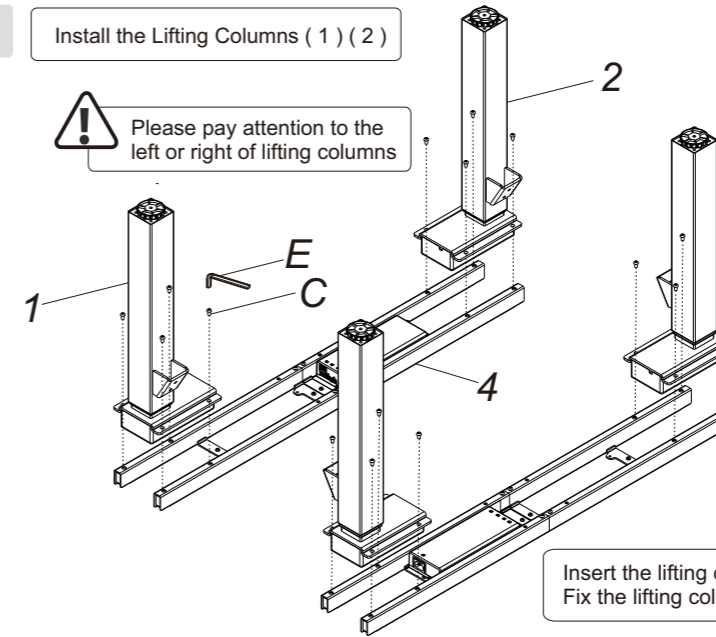
Matching Parts

Part	Qty	Part	Qty
Leg Beam	2	Leg Beam Cover	2

	M6x8mm	4
	M8x12	8
	Allen Key 5x5mm	1

STEP 1

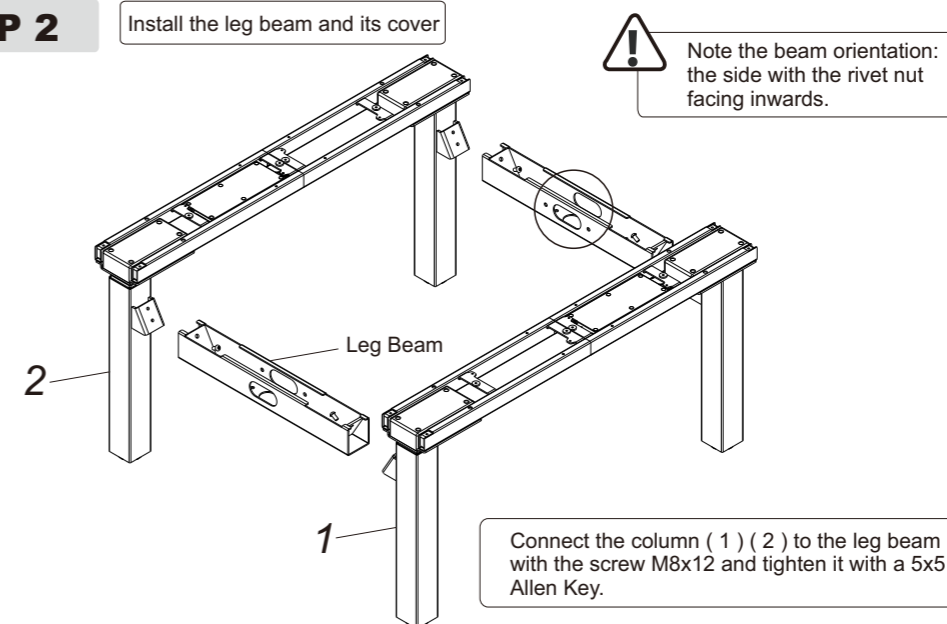
Install the Lifting Columns (1)(2)



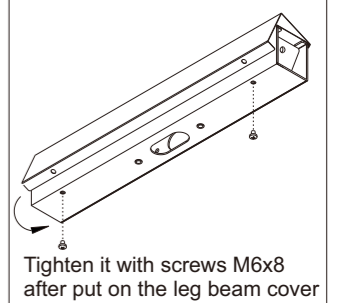
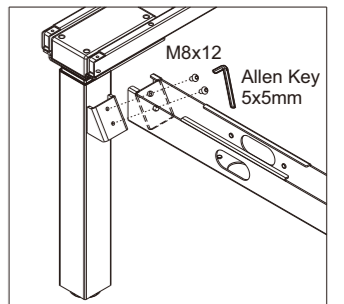
Insert the lifting columns(1)(2) into the ends of the supporting beam(4). Fix the lifting columns using screws(C) with the 4X4 Allen Key(E).

STEP 2

Install the leg beam and its cover

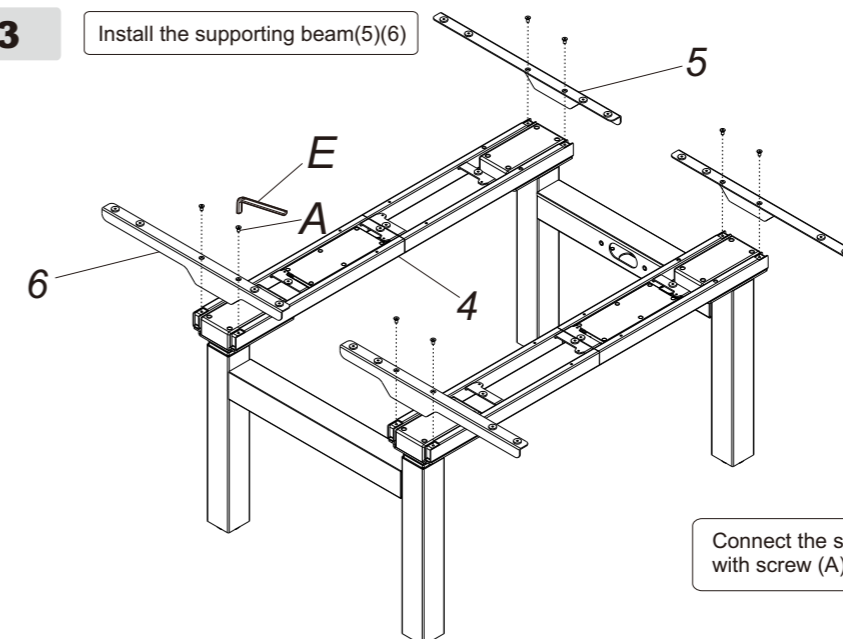


Connect the column (1)(2) to the leg beam with the screw M8x12 and tighten it with a 5x5 Allen Key.



STEP 3

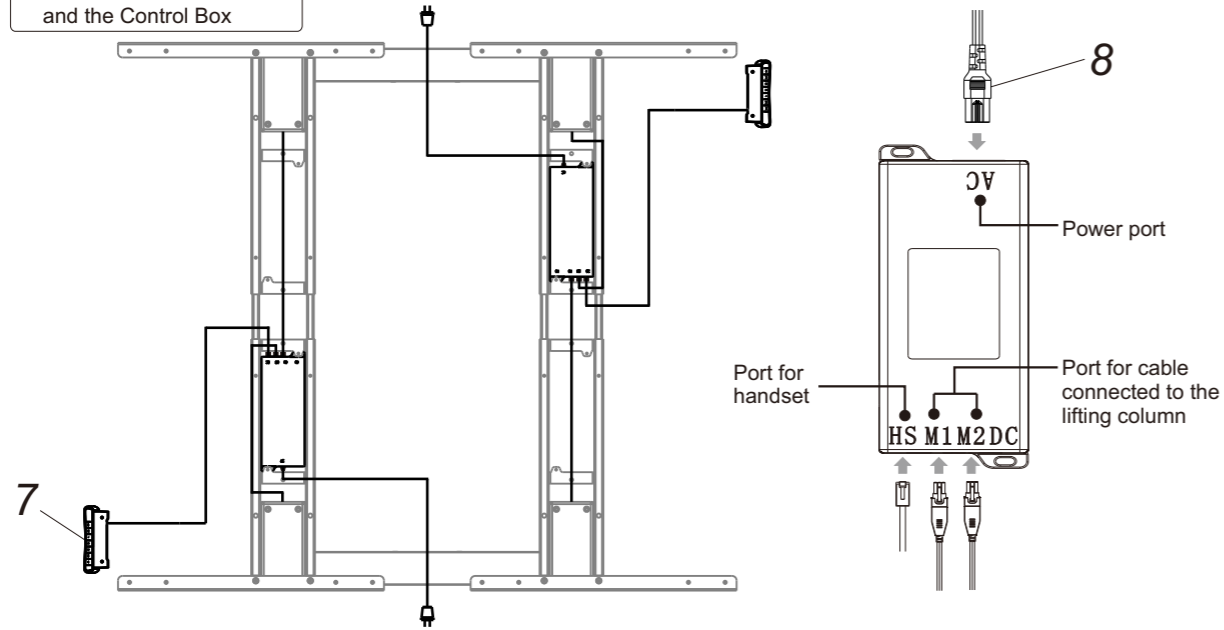
Install the supporting beam(5)(6)



Connect the support beam (4) to the support plate (5) (6) with screw (A) and tighten it with A 4 x 4 wrench (E).

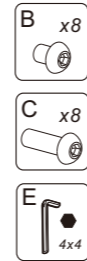
STEP 4

Install the Control Panel and the Control Box

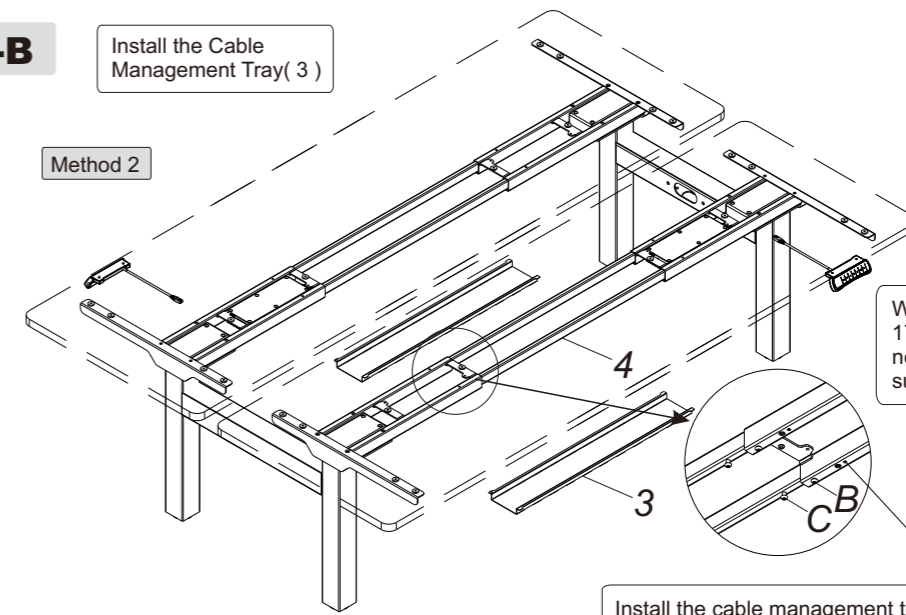


STEP 6-B

Install the Cable Management Tray (3)



Method 2



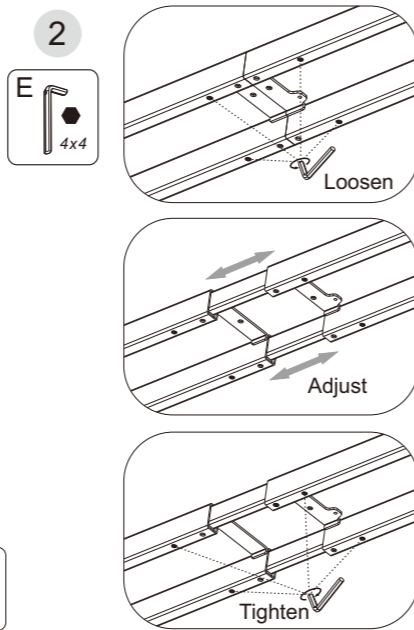
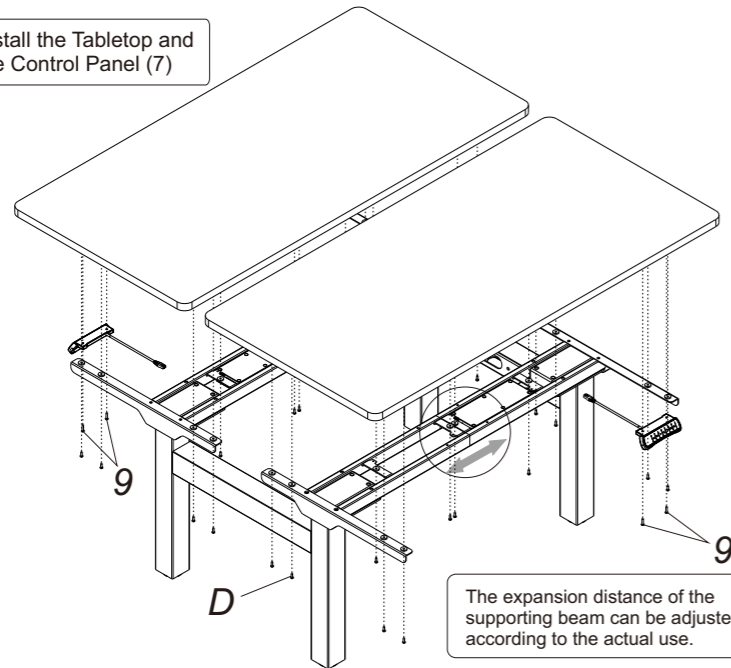
When the supporting beam stretches over 1720 mm, the cable management tray needs to be mounted on the middle of the supporting beam.

Do not stretch the support beam beyond this hole

Install the cable management tray as Method 1, Step 6-A.

STEP 5

Install the Tabletop and the Control Panel (7)



The expansion distance of the supporting beam can be adjusted according to the actual use.

Common fault treatment

The following tips will help you detected and eliminate the common fault and error. If the fault you met is not listed below, please contact with your supplier. Only the manufacturer and professionals are capable for investigating and correcting those fault and error.

Fault phenomenon	Method
No response while long pressing down arrow after connected with a power supply	1. Check if all the cables be connected well 2. Contact your supplier or dealer
No response while pressing up arrow/ down arrow after connected with a power supply	1. Check if all the cables be connected well 2. Contact your supplier or dealer
Rising in a low speed	1. Check if overloaded, max loading: 125kg; 2. Contact your supplier or dealer
The motor not move as instructed	1. Contact your supplier or dealer
Go down but not go up	1. Reposition 2. Contact your supplier or dealer
Downward sliding	1. Check if overloaded, max loading: 125kg; 2. Contact your supplier or dealer
Frequently Reposition	1. Check if overloaded, max loading: 125kg; 2. Contact your supplier or dealer
Overwork (Duty cycle: Max 2min on/18min OFF)	1. Restart after suspend for 18mins while connecting with power; 2. Contact your supplier or dealer;
Not enough up&down height	1. Press "M" and "3" together for 3 seconds or more, after hearing continuous beeping for twice, it will restore factory settings 2. Contact your supplier or dealer



Attention

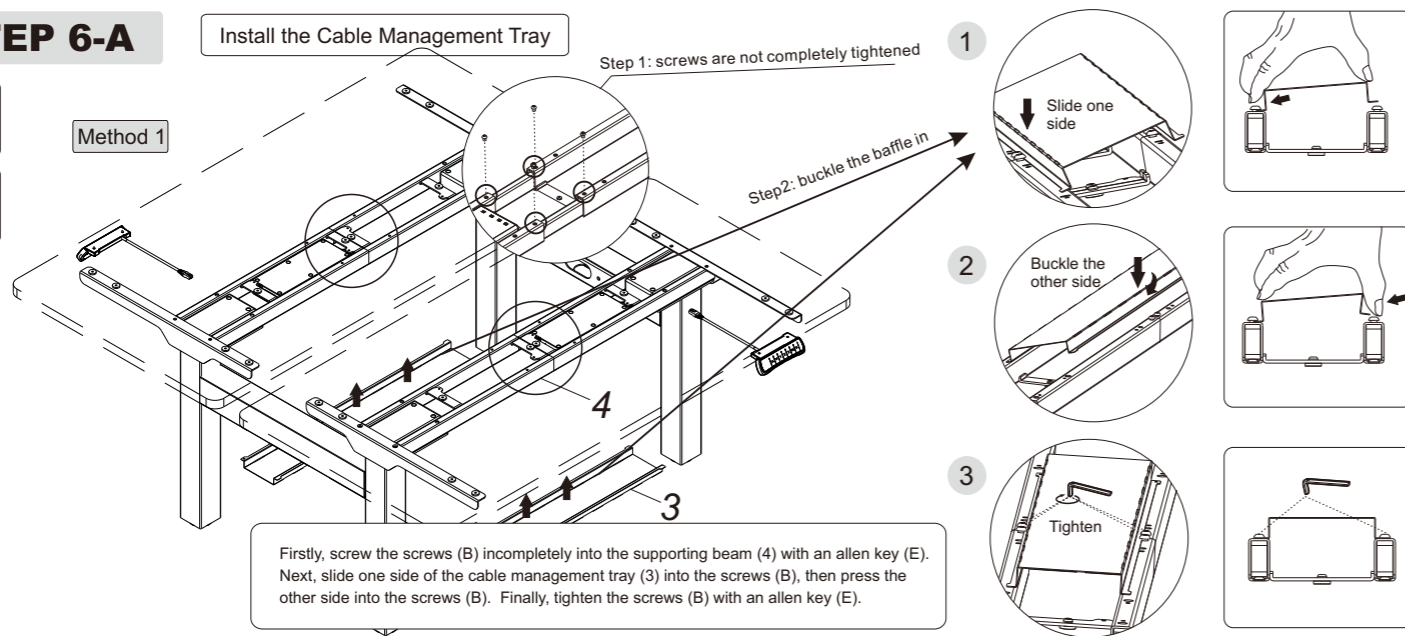
- Power supply: AC100V-240V,50/60Hz
- Service Environment: 0-40°C
- Unplug the power plug before cleaning, wipe the dust on surface with slight wet dishcloth when cleaning, be careful not to let the drops into the internal parts, not loose the connector.
- The electric box contains electronic components, metals, plastics, wires etc., so dispose of it in accordance with each country's environmental legislation, not the general household waste.
- Check carefully to ensure correct and complete assembly before using.
- Be familiar with all functions and program settings of the product before first use.
- Children are forbidden to play on the product because of unforeseen action when playing, so any dangerous consequences caused by this improper action will not be on manufacturers.
- Slight noise caused by the V-ribbed belt or brake system due to structure will not have any effect on the use of the equipment.
- Corrosive or abrasive materials are forbidden to clean the equipment. Must ensure that the cleaner used will not pollute the environment.
- This appliance can be used by children aged from 8 years and above and persons with reduced physical, sensory or mental capabilities or lack of experience and knowledge if they have been given supervision or instruction concerning use of the appliance in a safe way and understand the hazards involved. Children shall not play with the appliance.
- Cleaning and user maintenance shall not be made by children without supervision.
- If the supply cord is damaged, it must be replaced by the manufacturer, its service agent or a similarly qualified person in order to avoid a hazard.
- Please make sure there is no hazard sources in your operating environment. e.g., do not litter the tools around. Always be careful to treat the packaging materials in order to avoid any possible danger, e.g. plastic bag may lead to choking hazard to children.
- Keep the original package of the equipment if necessary in case of the future use in transportation.

STEP 6-A

Install the Cable Management Tray



Method 1



Firstly, screw the screws (B) incompletely into the supporting beam (4) with an allen key (E). Next, slide one side of the cable management tray (3) into the screws (B), then press the other side into the screws (B). Finally, tighten the screws (B) with an allen key (E).

Waste disposal



This marking indicates that this product should not be disposed with other household wastes. To prevent possible harm to the environment or human health from uncontrolled waste disposal, recycle it responsibly to promote the sustainable reuse of material resources. To return your used device, please use the return and collection systems or contact the retailer where the product was purchased. They can take this product for environmental safe recycling.